

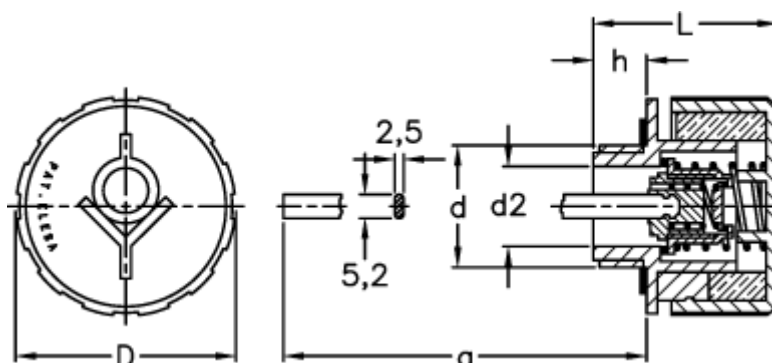
Data Sheet



Article number: 2311054923

Description: E+G Filler breather cap
SFW.70-1.1/4+F+a-350 mb

Measures



a = 195
D = 70
d = G 1 1/4
d2 = 25
h = 17
L = 59